

Pole Building Advertising



Think Big, Think Smart, Get Noticed....

Through Advertising

You are invited to project your company image and announce your company products or services, each and every day, which most efficiently targets the audience you want to reach.

Specific Benefits:

- *Maximum impact of billboard-type displays
- *Constant, repetitive exposure
- *High impact, yet cost effective with low production costs

FOR ADVERTISING AND INQUIRIES PLEASE CONTACT:

KUHNSVILLE CAR WASH LLC

Jon Kuhns ,Owner

Business # (610) 395-8011

Cell # 610-823-0841

Kuhnsville Car Wash LLC **Pole Advertising Contract**

1. Choose your billing cycle:

Monthly \$50 / month

Bi-Yearly \$250 / 6 months=1 month free

Yearly \$450 / 12 months=3 months free

***Each account will be charged
on the first day of each cycle.**

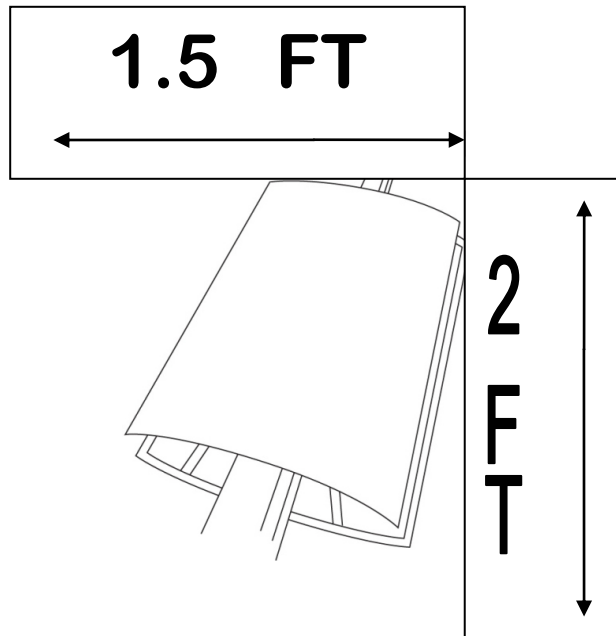
**2. Authorize KCW LLC to charge your
credit card each billing cycle until
you present a written statement,
with a 30 day notice, to take down
your pole advertising and close your
account.**

**3. Order a Mini Bill Board for your
Company through WilliamSIGNS.**

**4. KCW install's your sign
when your account becomes active.**

Pole Advertising Sign Specifications

1.5 feet (18") (Width X 2 feet (24") Length



WilliamSIGNS

Norm Williamson, Owner

6346 Farm Bureau Road, Allentown, PA 18106

Phone: 610-530-0300

FAX: 610-530-0500

***Contact Norm to create your sign.**

This will create uniformity for all signs displayed.

***COST OF SIGN IS INDEPENDENT
OF POLE BUILDING ADVERTISING***